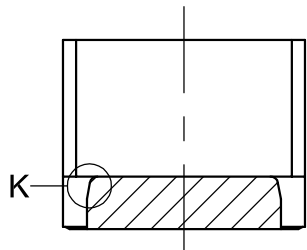
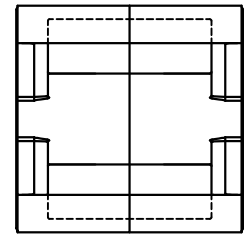
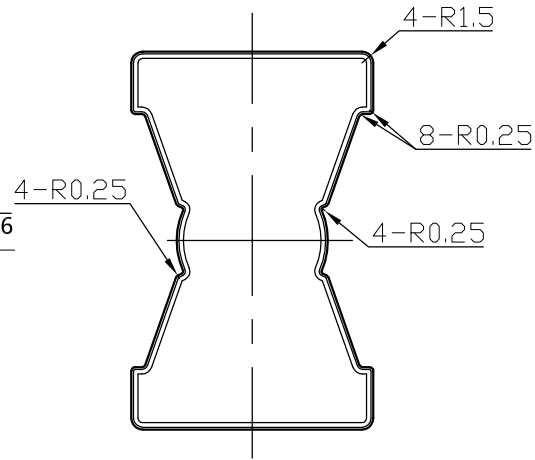
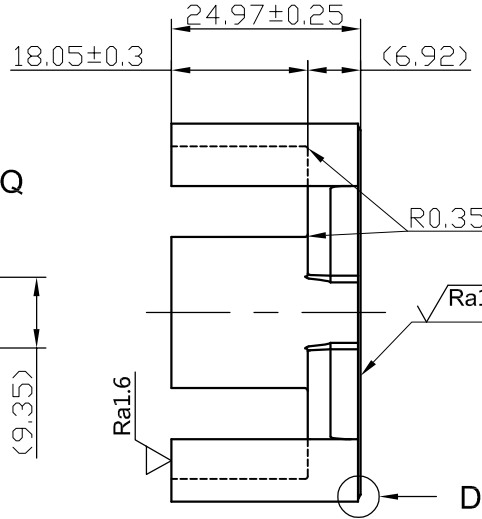
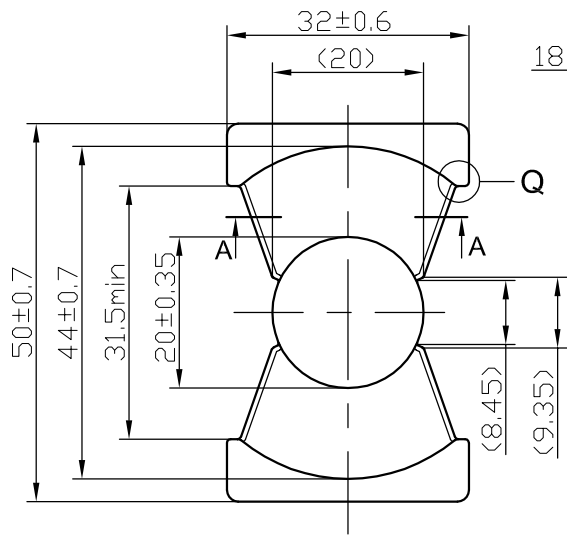
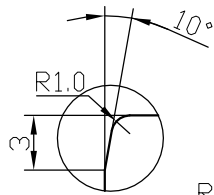


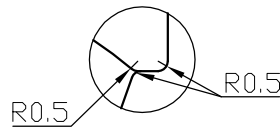
| REVISION HISTORY | | | |
|------------------|-------------|------|----------|
| Rev | DESCRIPTION | DATE | APPROVED |
| | | | |
| | | | |
| | | | |



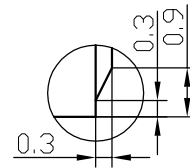
Section A-A



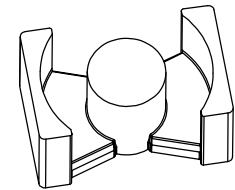
Detail K



Detail Q



Detail D



| | | | | |
|---|---------------------|--------------------|----------------------|---------------|
| | Scale | Material | Customer Part number | |
| | 1:1 | | Product Name | |
| Unit: | Standard tolerances | PQ-50-50 | | |
| mm | ±0.1 | Approved by | Created by | Document type |
| Y.Higuchi | Z.Zhang | Production drawing | Rev | Drawing No. |
| Hitachi Metals (Hong kong) Ltd. Panyu Factory | | | Date of issue | Sheet |
| | | | JUL 13 2016 | 1/1 |